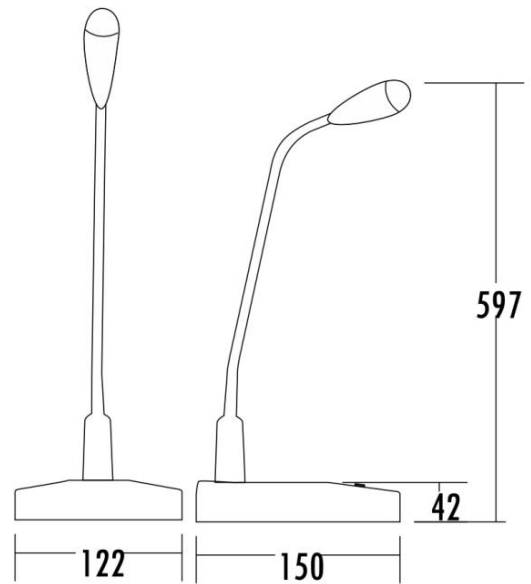




Microphone

T-511G (Round ring indicator)



Specifications:

Model	T-511G
Sensitivity	-35dB±3dB
Frequency	60Hz~14000Hz
Output Impedance	≤200Ω
Dimensions	122*150*42mm
Weight	1Kg
Operating Voltage	DC9V