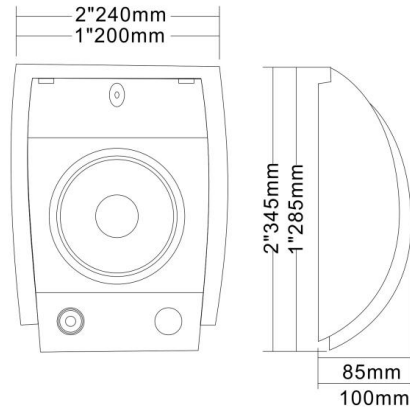


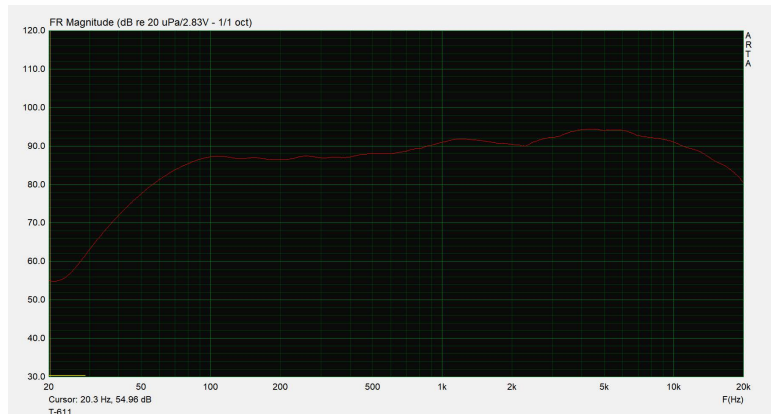
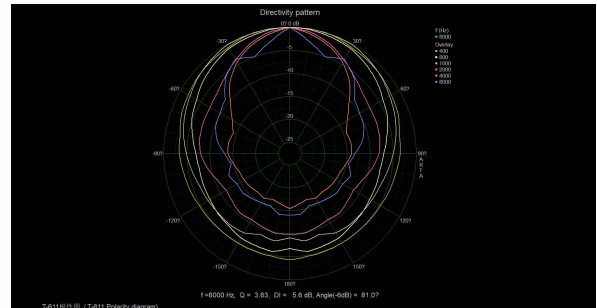
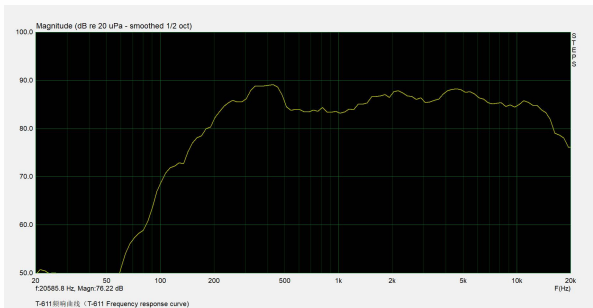


# Wall Mount Speaker

## T-611



Material:  
plastic



### Description:

Unique appearance design, plastic shell, using 2 frequency design, simple suspension, suitable for schools, corridors, supermarkets, etc.

### Specifications:

Model	T-611
Power taps @100V	1.5W, 3W, 6W
Power taps @70V	0.75W, 1.5W, 3W
Impedance	Black: Com Red:6.7 KΩ/3.3 KΩ/1.7KΩ
SPL(1W/1M)	90dB ±3dB
Frequency response (-10dB)	85Hz -20KHz
Speaker driver	5" x 1 2" x 1
Dimensions	285 x 200 x 85mm
Weight	1.3Kg