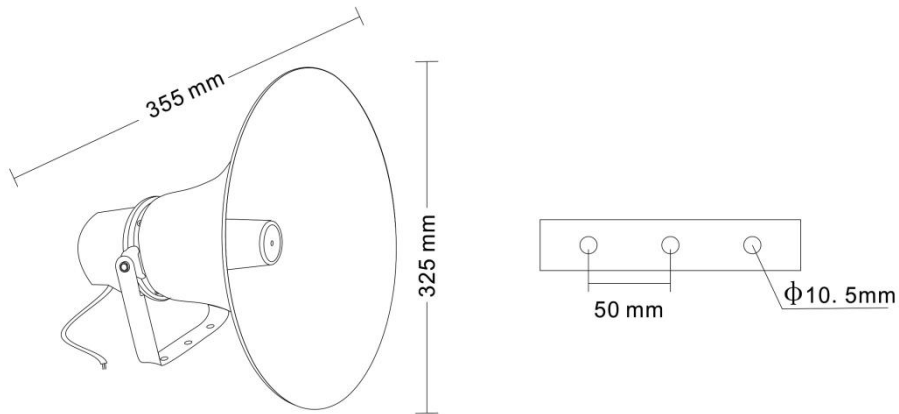




Weatherproof Aluminum Horn Speaker

T-720H



Material: All aluminum alloy

Feature

* All aluminum alloy structure, stainless steel bracket, wide frequency domain waterproof horn, strong sound penetration, wide coverage, suitable for square, railway station, etc.

* Built-in 100v/70v transformer.

Specification

Power Taps @ 100V	25W, 50W
Power Taps @ 70V	12.5W, 25W
Impedance	Black-Com Green: 400Ω White: 200Ω
Frequency Response	150-14KHz
Sensitivity	104dB±3dB
IP Rate	Ip66
Explosion-proof level	Ex db IIB T6 Gb
Dimension	325 x 325 x 355mm
Weight	3.1kg