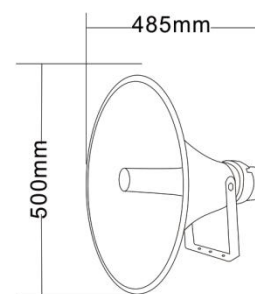
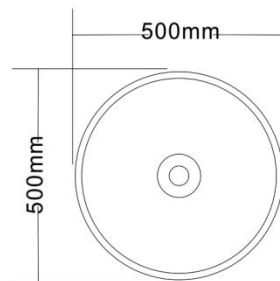
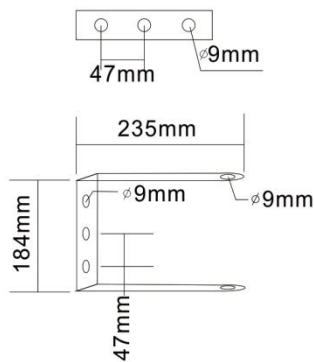




Weatherproof Horn Speaker

T-720CDC2

Material: all aluminum alloy



Features:

All aluminum alloy structure, wide frequency domain waterproof horn, large power, strong sound penetration, wide coverage, suitable for square, railway station, etc.

Model	T-720CDC2
Rated Power	30W
Maximum Power	60W
Impedance	4 ohm/ 8 ohm/ 16 ohm
Frequency Response	160-8KHz



(-20dB)	
Sensitivity (1W/1M)	114dB±3dB
Max. SPL	129dB
Dimension	485×500mm
Weight	4.7Kg
IP Rate	IP66
Thickness of shell	1.1~1.65mm