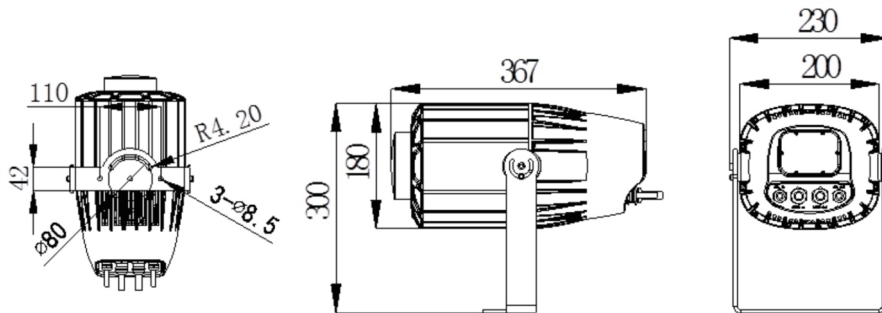




Pattern Light

TL-LT201



Feature:

- * Color wheel: 5 color gels + white light, two-way stepless rotation, magnet positioning, color index, half-color and other functions.
- * Gobo wheel: 1 rotatable gobo wheel, 4 gobos; support pattern positioning, rotation, dithering, etc.
- * Dimming: 0-100% linear adjustment.
- * Strobe: electronic strobe, 0-25 times/sec (built-in pulse stroboscopic effect).
- * DMX512 port program update, convenient and fast software upgrade through DMX data cable.
- * Over-temperature protection function: built-in NTC temperature control function. When the LED is overheated, the output power will be intelligently reduced.
- * LCD blue screen display, including the lamp usage time, software version number, etc.

Specifications:

Model	TL-LT201
Input voltage	AC 110-240V 50/60Hz, 170W
Light source	A 150W White Light LED OSRAM chip
Average lifespan	50000H
Color temperature	7500K
Beam angle	15°- 45° linear focusing
Control mode	Comply with the international standard DMX512 signal control protocol, 3-pin (5-pin optional) DMX512 signal interface; master-slave synchronous control mode, support RDM protocol and program online update function
Operation mode	DMX mode, user program mode, built-in program mode
Channel	8/10 channels
Fixture material	High-strength die-cast aluminum alloy + copper tube radiator + a waterproof fan to assist heat dissipation
Protection class	IP67
Working temperature	-20°C~45°C
Fixture size (L×W×H)	230×180×398mm
Package size (L×W×H)	270×250×455mm
Gross weight	10.8kg
Net weight	8.5kg