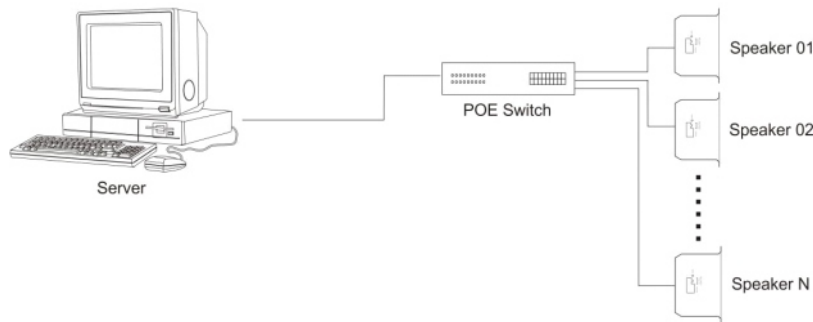




POE Ceiling Speaker

T-S708



Product Introduction:

- * Professional integrated Ceiling-type network audio decoding speaker, built-in digital constant resistance power amplifier and high fidelity loudspeaker.
- * It can installed in rooms, offices and guest rooms where music needs to be played at designated locations.

Features:

- * Embedded computer technology and DSP audio processing technology are used in the equipment.
- * Built-in 1-channel network hardware audio decoding module, supports TCP/IP, UDP protocol, realizes the network transmission of 16-bit CD audio signal.
- * Supporting POE (IEEE 802.3af) power supply mode, only one network cable is needed to connect to POE switch. The construction is simple and convenient, and the maximum connection distance can reach 80 meters.
- * Equipped with DC 24V standby power interface, it is suitable for power supply when power demand is greater than 10W or for non-POE network.
- * Digital power amplifier with intelligent gain adjustment, adaptive power supply and automatic power adjustment is always in the state of performance optimization and efficiency maximization.
- * Full-band, high-sensitivity amplifier unit, with abundant power, high fidelity sound quality, with flame-retardant metal rear cover, durable, fire-proof and safer.
- * Support LAN and WAN applications, compatible with any network architecture such as router, switch, bridge gateway, Modem, Internet, 2G, 3G, 4G, etc.
- * Supporting the broadcasting system to upgrade the terminal firmware remotely, without upgrading to the terminal locally, so as to reduce the work intensity of maintenance.

Specifications:

Model	T-S708
Network interface	Standard RJ45 input
Support agreement	TCP/IP, UDP
Audio format	MP3
Sampling rate	8KHz ~ 48KHz
Transmission speed	100Mbps
Audio mode	16-bit CD sound quality
Frequency response	130Hz~16KHz +/-6dB
Harmonic distortion	Less than 1%
Signal-to-noise ratio	More than 68dB
Rated power	8W (POE) / 8W
Power waste	12W / 12W
Loaded horn	8 ohm /6W
Speaker attribute	Woofer
Power Supply	POE (IEEE 802.3af)/DC24V 2A
Standby power	< 3W
Power Protection Circuit	Overvoltage and Overcurrent Protection
Working temperature	5°C~40°C
Working humidity	20%-80% relative humidity, no condensation
Installation dimension	152mm
Size	180 x 98mm
Weight	0.8Kg