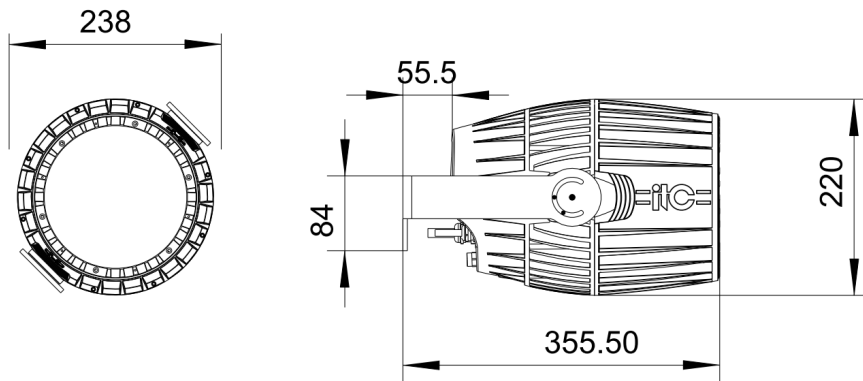




LED Flood Light

TL-LT601



Feature:

- * Color: RGBW color mixing system.
- * Strobe: electronic strobe, 0-25 times/sec (built-in pulse stroboscopic effect).
- * Dimming: 0-100% linear adjustment.
- * Over-temperature protection function: built-in NTC temperature control function. When the LED is overheated, the output power will be intelligently reduced.
- * DMX512 port program update, convenient and fast software upgrade through DMX data cable.

Specifications:

Model	TL-LT601
Input voltage	AC 110-240V 50/60Hz, 280W
Light source	Seven 40W OSRAM RGBW 4 in 1 lamp beads
Average lifespan	50000H
Color temperature	7000K
Beam angle	10°~ 40°linear adjustment
Control mode	Comply with the international standard DMX512 signal control protocol, 3-core (5-core optional) DMX512 signal interface; master-slave synchronous control mode, support RDM protocol and program online update function
Operation mode	DMX mode, user program mode, built-in program mode
Channel	5/9 channels
Fixture material	High-strength die-cast aluminum alloy + copper tube radiator + a waterproof fan to assist heat dissipation
Protection level	Protection IP67
Working temperature	-20°C~45 °C
Fixture size (L×W×H)	230*180*367mm
Package size (L×W×H)	270*250*455mm
Gross weight	10.0kg
Net weight	7.5kg