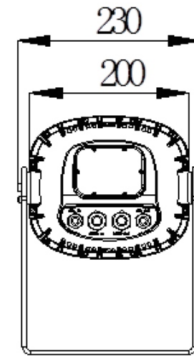
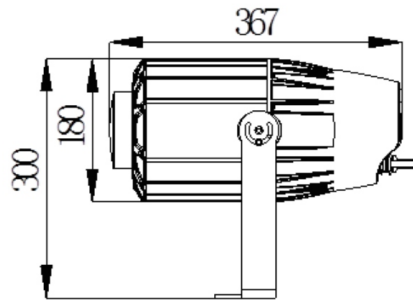
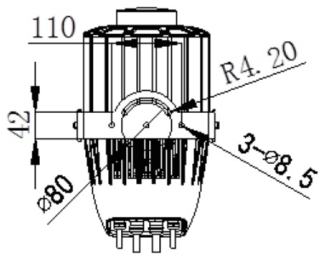




# Pattern Light

## TL-LT202



### Feature:

- \* Color: 5 color gobos + white light, two-way stepless rotation, magnet positioning, color index, half-color and other functions.
- \* Pattern panel: a rotating pattern panel with 4 patterns; support the effects of pattern positioning, rotation, dithering, etc.
- \* Dimming: 0-100% linear adjustment.
- \* Strobe: electronic strobe, 0-25 times/sec (built-in pulse stroboscopic effect).
- \* DMX512 port program update, convenient and fast software upgrade through DMX data cable
- \* Over-temperature protection function: built-in NTC temperature control function. When the LED is overheated, the output power will be intelligently reduced.
- \* LCD blue screen display. The lamp usage time, software version number and others are displayed.

### Specifications:

Model	TL-LT202
Input voltage	AC 110-240V 50/60Hz, 240W
Light source	A 200W White Light LED OSRAM chip
Average lifespan	50000H
Color temperature	7500K
Beam angle	15°- 45°linear zooming
Control mode	Comply with the international standard DMX512 signal control protocol, 3-core (5-core optional) DMX512 signal interface; master-slave synchronous control mode, support RDM protocol and program online update function
Operation mode	DMX mode, user program mode, built-in program mode
Channel	8/10 channels
Fixture material	High-strength die-cast aluminum alloy + copper tube radiator + a waterproof fan to assist heat dissipation
Protection level	Protection IP67
Working temperature	-20°C~45 °C
Fixture size (L×W×H)	230*180*398mm
Package size (L×W×H)	270*250*455mm
Gross weight	10.8kg
Net weight	8.5kg