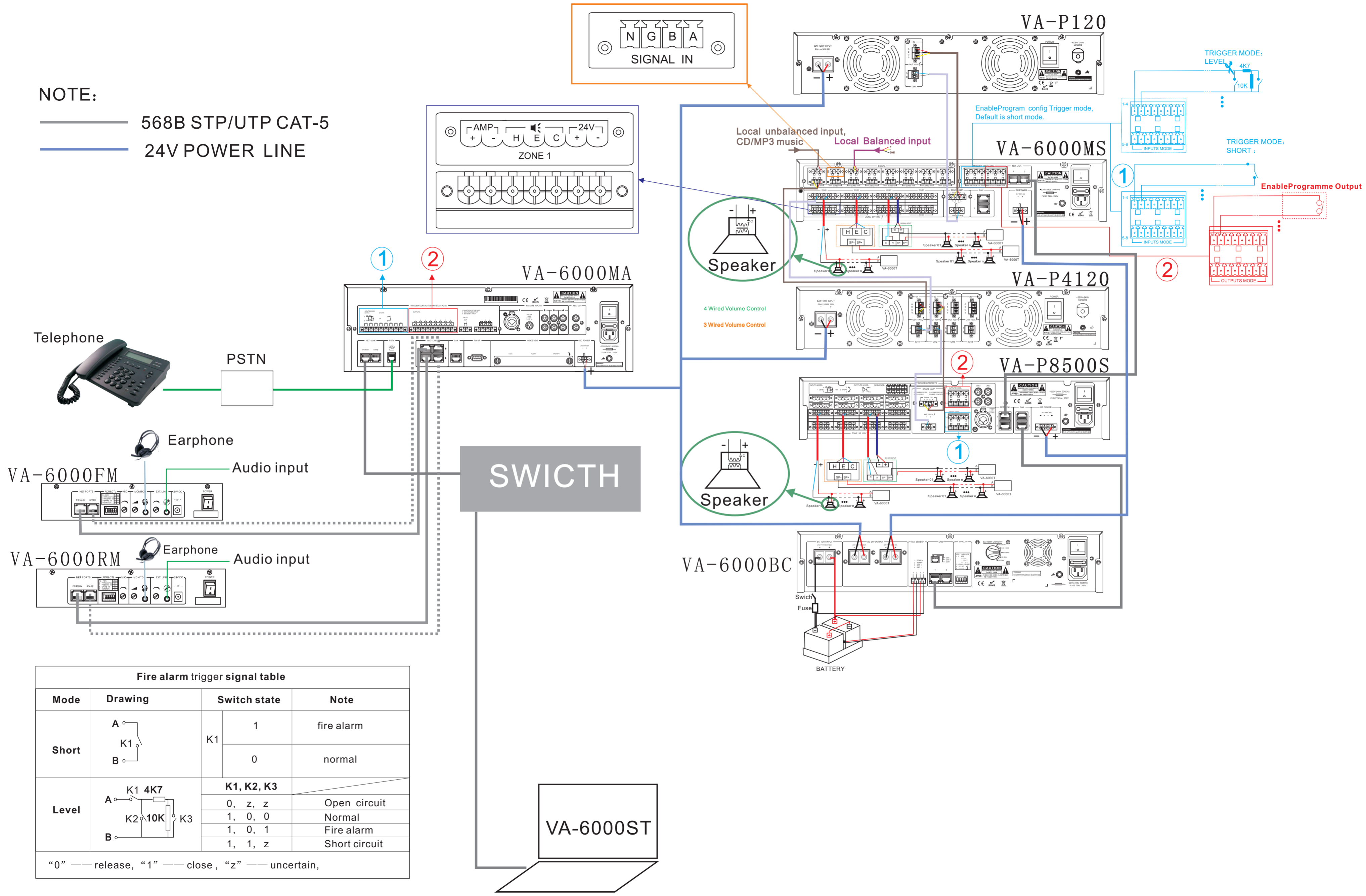


NOTE:

- 568B STP/UTP CAT-5
- 24V POWER LINE



Fire alarm trigger signal table			
Mode	Drawing	Switch state	Note
Short		K1 1	fire alarm
		K1 0	normal
Level		K1, K2, K3	
		0, z, z	Open circuit
		1, 0, 0	Normal
		1, 0, 1	Fire alarm
		1, 1, z	Short circuit

"0" — release, "1" — close, "z" — uncertain,