



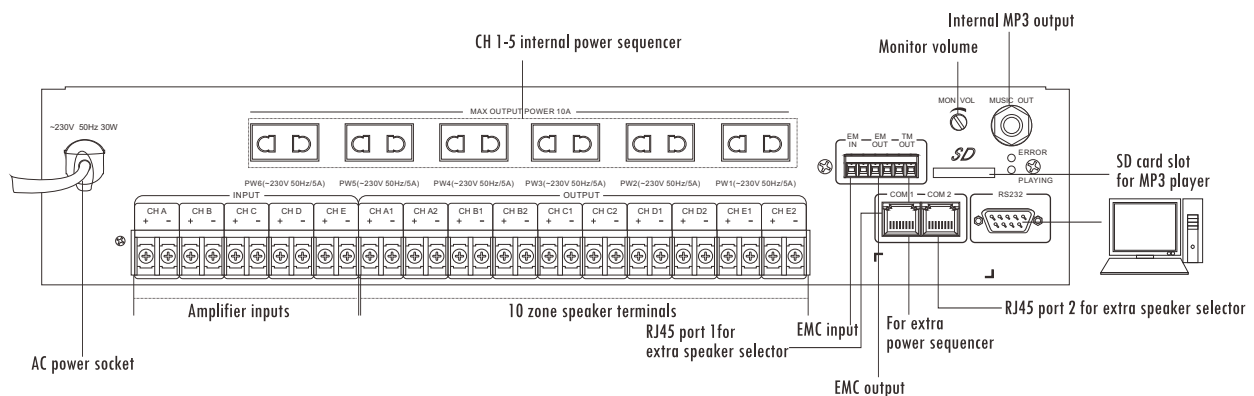
Features

- * Built-in weekly timer, monitor, 10 zone speaker selector, 6 channel power sequencer and Mp3 player.
- * Expandable from 10 zones to 160 zones.
- * Single Scheduled background music + 160 zone paging + multi voice alarm system.
- * Single scheduled background music from T-6232 weekly timer's built-in MP3 player.
- * 3 modes of voice alarm: all zones, separate zone and neighboring zones voice alarm.
- * Remote paging console up to 16 units.
- * 5 amp inputs divided into 10 zones speaker output.
- * Timely broadcast up to 99 program sources.
- * Broadcast modes: random, repeat and circle.
- * 8 regular programs and 1 spare program for emergency/particular circumstance.
- * Functional swift key for internal MP3 player priority manual broadcast.
- * Zone 1-10 selector, all zone selector, music/paging switch, MP3 swift button, swift program button, power control channel 1-4 buttons, up/down/left/right/ok buttons.
- * External power control, external monitor, speaker fault detection and amplifier fault changeover all are optional could be added.
- * Power handling 5000W over each 10 zones.
- * System communication is through CAT 5 cable.
- * The system communication distance up to 1kms.
- * Memory function even in case of power off.

Optional

- * Panel with/without handhold.

Rear Panel



Specifications

Model	T-6232
Power Output	~110V-230V 50/60Hz 4 Program Power+2 AUX power Total Power ≤5KW
Function Button	Light touch press buttons include 4 power switch buttons, 1 MP3 control button, 1 backup program switch, 10 zones speaker selector button, all zones button, 1 music or paging switch button. 4 menu buttons for switch, 1 ok button
Indication Method	192x64 LCD display, English
Audio Output	1K 0.775V Unbalance (6.35 RC)
Voltage Input and Output of Alarm	0V(Short Circuit) Industrial Standard
Voltage Output for Power Control	Integrated Terminal Block 0V(Short Circuit) Industrial Standard
Amplifier Input and Output	Integrated Terminal Block CHA CHB CHC CHD CHE CHA1-A2 CHB1-B2 CHC1-C2 CHD1-D2 CHE1-E2
Monitor Power of Speaker	0.5W
Monitor Volume Attenuator	~0dB
Time Mode	24 hours(hour-minutes-seconds) weekly
Program Quantity	Total 9pcs(8 normal programs, 1EMC)
Program Steps	Total 512 Steps, 1 day ≤200 Steps
Communication Protocols	RS422
Communication Port	RJ45
Communication Speed	4800bps
Zone Control	160 zone(16pcs T-6212(A) 10 zone speaker selector)
MP3 Frequency Response	20Hz~20KHz/ -1dB
Mp3 Store Format	Compatible FAT16, FAT32
Power Supply	~110V-230V 50/60Hz
Dimensions	484 x 350 x 88mm
Weight	6.06Kg