



Rack-mount IP Network Audio Terminal

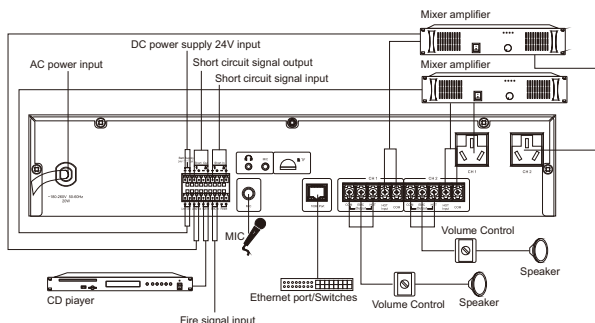
T-7801



Specifications

Model	T-7801
Network Interface	Standard RJ45 input
Transmission Rate	100Mbps
Protocol Support	TCP/IP,UDP,IGMP(multicast), IETF SIP
Audio Format	Mp3, WMA, WAV
Audio Mode	16 bit CD quality
Sampling Rate	8K~48K
AUX Input	1 group
AUX Sensitivity	350mV
EMC Input	1 group
EMC Sensitivity	775mV
Local MIC Input	1 group(Optional front TRS interface or rear panel TRS interface or 3.5mm input)
Local MIC Sensitivity	TRS interface 5mV, 3.5mm interface 10mV
Line Output	2 group
Line Output Level/Impedance	1000mV/470Ω
Earphone Output Connector	3.5mm interface
Earphone Load	32Ω
MIC Monitor MIC	1 group
Sensitivity of The Monitor MIC	10mV
USB	Maximum support 4T USB device; loading <0.1A
SD	Maximum support 128G / SDXC card
Power Consumption	20W
Standby Power Consumption	<10W
Frequency Response	80Hz~16KHz -3dB/+1dB
THD	<0.3%
SNR	>65dB
Short-circuit Input	0V/3.3V, Support dry contact input
Short-circuit Output	Maximum 1A/30VDC dry contact output
Working Temperature	5℃~40℃
Working Humidity	20%~80% Relative humidity, without condensation
Working Voltage	~190-240V 50-60Hz; DC24V/2A
Size	484×327.5×88mm
Weight	4.6Kg

Rear Panel



Application

Installed in rooms with low voltage or equipment rooms in each broadcast management area, you can connect two power amplifiers, mainly for program display and local broadcasting in halls, outdoor and other outdoor areas.

Features

- * The standard 19-inch rack-mount design, full-aluminum industrial panel, 4.3-inch LCD screen in TFT color, 21-key industrial metal, reserved function of infrared receiver to simplify the remote control.
- * Graphical volume adjustment interface to adjust the volume of network programs, local MICs, and local AUX.
- * The product is based on Luna cloud servers, with very high safety and excellent stability; support 7 × 24 hours continually working.
- * Rich network access methods, including DHCP to automatically assign access, ADSL intelligent dial-up access, and fixed IP address access.
- * Integrated 24Bit professional-grade sound card, enabling enthusiast audio playback, and the highest audio stream is 768kpbs.
- * Built-in 8GByte SSD, support remote management on the server, support background downloading in limited network speed or automatic download during spare time, which reduced the burden on the network, the files in media library can be played automatically in offline state.
- * Integrated USB and Micro SD (TF) card interface, maximum support 4T USB storage devices and 128G / SDXC card, and achieve the audio file playing, can make the USB, TF card, media library be freely broadcast on demand to terminals within authority scope.
- * Built-in 2 channel independent audio output to achieve external amplifier amplification; Support the standard headset interface, audio monitor and headset amplification, etc.
- * With 1 AUX audio input, 1 group MIC input, 1 EMC emergency input; Built-in digital pre-amplifier; support user-defined priority; with 1 monitor MIC to achieve equipment self-test, working environment monitoring and operator assessment.
- * 2 Short-circuit outputs, 2 short-circuit inputs, support flexible customization function, and can realize short-circuit collection, alarm trigger, and fire control, monitoring and other linkage working with the equipments from third party and the platform application.
- * 2 × 2200W power interfaces, with functions of intelligent power management, automatically cut off output power when there is no program or radio play, which saves lots energy, also with function of pre-programmed power on.
- * 2-way and three-wire volume control with relay, without DC24V strong cutting power, with an unlimited number of volume control.
- * Graphical interface of volume control, adjustable network programs, local MIC, local AUX Volume
- * With function of sound pressure alarm, when the detected volume continuously exceeds the preset range of sound pressure, it can automatically trigger specified terminal for alarm according the preset program, the trigger software interface will pop-up prompts, meantime, there is synchronizing Email sending and so on.
- * Support checking information about devices status and management equipment on the WEB viewing devices of the system backstage.
- * It supports remote hardware updating of the terminal, no need go to upgrade at the local site, to reduce maintenance burdens and make more simple operation.
- * Support intelligent power saving and pre-opening management, to achieve system energy saving and equipment with stable and reliable work, guarantee reliable and stable controlled devices work.
- * Support multiple users' switching login, and customize the using priority of user function.
- * Support function of restoring factory configuration when there is short circuit triggered, to make the system maintenance in the most convenient way.
- * Real-time display the status information on program broadcasting, two-way intercom, regular broadcasting, equipment operating, IP address, MAC address etc, and can be one-key stop programming task.
- * With city power supply in wide voltage +24V standby power supply with zero switching time provide the terminal's 7×24-hour working in the best way.