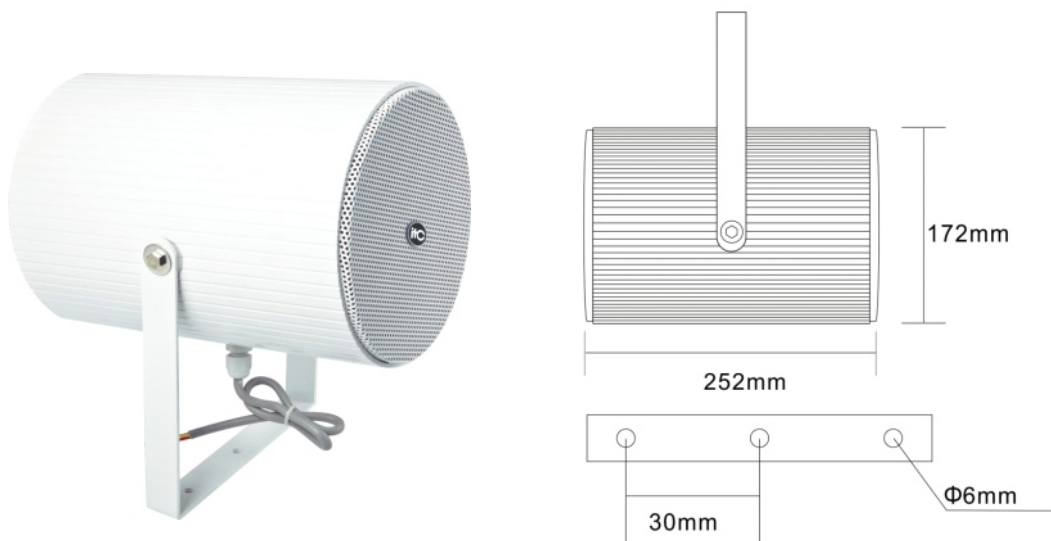




Dual-directional Projection Loudspeaker

T-770T



Material: Aluminum alloy

Description:

Straight horn, aluminum alloy structure, anti-rust and anti-corrosion strong, can be arbitrarily adjusted Angle; Suitable for railway station, bus station, etc.

Specifications:

Model	T-770T
Power Taps @100V	5W, 10W, 20W
Power Taps @70V	2.5W, 5W, 10W
Impedance	Blue: Com Green: 2 KΩ Yellow: 1KΩ Red: 500Ω
SPL(1W/1M)	92dB
Max. SPL (Rated W/1M)	105dB
Frequency Response (-10dB)	110-15KHz
Speaker Driver	6" x 2
Dimensions	172 x 252mm
Weight	3.3Kg
IP Grade	IP66